

A GUIDE TO WEARING THE CAP CORPORATE UNIFORM

The CAP Corporate Uniform serves as a distinctive equivalent to the U.S. Air Force style uniforms. CAP grooming standards are required, but CAP weight standards are not required for wear of this uniform. This uniform is authorized for wear by CAP senior member officers and NCOs and by cadets over 18 years of age who do not meet CAP weight standards or who choose not to wear the Air Force style uniform combinations.

When the new CAP Corporate Uniform was announced last year (2006) it was received almost equally with praise and scorn, and it has even earned the nickname of 'TPU' (Tony Pineda Uniform), after our National Commander. Like it or hate it, it's probably here to stay, so if you choose to wear this combination, there are certain pointers that need to be followed for wear of this uniform.

THE UNIFORM DESCRIBED

The CAP corporate service dress uniform consists of the following items:

MALES

- Double breasted service dress jacket (in AF shade 1625 doubleknit polyester)
- White aviator-style shirt with epaulets and flap pockets (long or short sleeve)
- Air Force blue herringbone pattern tie
- Air Force blue trousers (in AF shade 1625)
- Flight cap or service cap (preferably AF shade 1625 to match trousers and jacket)
- Blue web belt with polished silver buckle
- Black low-quarter shoes and socks.

FEMALES

- Double breasted service dress jacket (in AF shade 1625 doubleknit polyester)
- White aviator-style shirt with epaulets and flap pockets (long or short sleeve)
- Air Force blue herringbone pattern inverted V tab (not the floppy blue tie)
- Air Force blue trousers or skirt (in AF shade 1625)
- Flight cap or service cap (preferably AF shade 1625 to match trousers and jacket)
- Blue web belt with polished silver buckle (only if the trousers or skirt have belt loops)
- Black low-quarter shoes and socks (if wearing trousers) or neutral hose and black pumps if wearing a skirt

You may wear the AF blue shade 1620 polyester wool trousers and flight cap/service cap from the AF service dress uniform, but you **do not** wear the corporate service dress coat with it. (It won't match and the mismatch is obvious.) Avoid wearing older shade trousers (such as 1549s or 1577s) as they are obsolete.

Most of the uniform items are available through the Civil Air Patrol Store at Vanguard Industries (www.vanguardmil.com) or The Hock Shop (www.thehock.com); however the service dress jacket is only available through Vanguard. The white aviator shirt may be purchased either at Vanguard or through reputable pilot supply stores. The trousers and skirt may also be obtained at Army and Air Force Exchange Service (AAFES) military clothing sales stores (MCSS) at Air Force military installations.

The white aviator style shirt may be short sleeve or long sleeve; if a long sleeve shirt is worn, a tie or blouse tab must be worn. Wear of the tie/blouse tab is optional with short sleeve shirts. The most common aviator-style shirt is the Van Heusen Aviator, but there are other aviator-style shirts that may be used. Do not get the shirts with eyelets for the placement of pilot wings.

THE CORPORATE SERVICE DRESS JACKET



The corporate service dress jacket is modeled after the Navy's officer/CPO uniform. Silver sleeve braid replaces dark blue sleeve braid to denote officer status. Metal grade insignia is pinned to the shoulder epaulets. Buttons are the old CAP seal buttons in a bright instead of an antique finish. All exterior welt pockets have been tack-sewn to make them non-functional.

Originally, US cutouts were placed on the lapels, but were later replaced by CAP cutouts. The standard brushed silver AF service dress nameplate has 'CIVIL AIR PATROL' placed over the member's last name. Mandatory wear date for the new U.S. CIVIL AIR PATROL nametag (in blue and silver) is 1 March 2008. Cadets wear the blue plastic three-line nameplate instead of the brushed silver nameplate.



New U.S. CIVIL AIR PATROL nametags for the corporate service uniform.

Silver sleeve braid: worn only by senior member officers. 1/2" wide for grades of FO through Colonel. Brig Gen and Maj Gen (only) wear 1-1/2" wide silver sleeve braid. Braid is worn 3" from the end of the finished sleeve length and all around the sleeve.

Grade insignia: Cadet airmen and NCOs wear grade on the collar lapels as prescribed in CAPM 39-1. Cadet officers wear their grade insignia on the cadet officer shoulder boards. Senior member NCOs wear grade insignia on both sleeves, halfway between the shoulder and elbow. Officers wear metal grade insignia on the epaulets 5/8" from the shoulder seam. (Special insignia wear notes: the stem of the oak leaf on Maj and Lt Col points to the shoulder seam. Colonel's eagles have the eagle's head always facing forward – the grade insignia is designed that way. Brigadier generals wear their star centered on the epaulet.

Ribbons: follow the wear placement rules of CAPM 39-1. The ribbon display shown above does not conform to regulation. Military ribbons earned (in their proper order of precedence before any CAP ribbons) may be worn.

Badges: Wear full size (3") aeronautical rating badges. Again, the picture above shows the model wearing 2" miniature wings, which is incorrect. Only CAP badges may be worn; no military badges or aeronautical ratings. Up to four badges may be worn; refer to CAPM 39-1 for placement rules, which are the same for the USAF style service dress jacket.

White shirt (aviator style) must be worn with the AF blue herringbone tie or overblouse tab when the service jacket is worn. A black bow tie may be worn for more formal occasions in the same way as the semi-formal uniform; remember to remove the nametag if doing so.



Brigadier General Amy Coulter, CAP National Vice Commander and Maj Gen Antonio Pineda, CAP National Commander both wear the CAP corporate uniform jacket at the annual CAP Legislative Day in Washington D.C. Notice that General Coulter is wearing the female version of the jacket, though she is incorrectly wearing the blue plastic two line nametag and narrow silver braid for the officer grades of colonel and below. General Pineda is wearing the correct nametag and braid – notice the difference. The lay of the female overblouse tab varies in appearance depending on where it is placed under the collar.

HEADGEAR

Air Force style flight cap or service cap. Cadets and senior member NCOs wear flight caps with blue piping; officers in the grades of flight officer through colonel wear flight caps with blue and silver 'zipper' piping and general officers wear flight caps with full silver piping. Officers wear the CAP senior member flight cap device, 1-1/2" from the front of the flight cap on the left side.

For those who wear the service cap, the following rules apply:

Cadet officers (when authorized by the wing commander) and senior member NCOs wear the standard service cap with black leather chin strap.

Senior member officers wear the service cap with silver braided chin strap. Officers in the grades of major through colonel have clouds and darts (in a pattern of four – two on each side) on the visor. General officers have clouds and darts in a pattern of six – three on each side.

The service cap and/or flight cap should be of the same shade and weave (AF shade 1625) as the service jacket and trousers.

TROUSERS, SLACKS AND SKIRTS

When you receive the trousers, slacks or skirts for the blue corporate uniform, they will arrive unfinished – they will need to be hemmed before they can be worn properly.

Men's trousers: Trim-fitted with no bunching at waist or bagging at seat; knee and bottom leg widths not altered beyond current specifications for the waist size; front of trouser legs rests on the front of shoe or boot with a slight break in the crease; back of trouser legs will be approximately 7/8 of an inch longer than the front. Trousers and slacks will be full cut, straight hanging and without cuffs. They will not be bloused over boots. Trousers must be worn at the natural waist line and not resting on hips.

Women's slacks: Slacks fit naturally over the hips with no bunching at waist or bagging at seat; bottom front of slacks rests on the front of shoe or boot with a slight break in the crease; back of legs is approximately 7/8 of an inch longer than the front. Tailored straight hanging, no flare at bottom, with two one-quarter front pockets and center fly-front opening or center front closure with front and back waist darts, two one-quarter top side pockets, and waist band with five belt loops. They may not be bloused over boots.



Above is a photo of the correct appearance of trousers and slacks when properly tailored.

Skirts: Skirt hangs naturally over the hips with a slight flare; skirt lengths will be no shorter than the top of the kneecap nor longer than the bottom of the kneecap, straight style with belt loops, a kick pleat in back; two pockets, and a pleated front; skirts have a back zipper and lining attached to the waist.

Belt: Woven 1 1/4 inch cotton web or 1 1/4 inch elastic, solid or woven, belt with matching silver-color metal tip and buckle of chrome like finish. Silver tip end of the belt extends beyond the buckle, facing the wearer's left for men, and the wearer's right for women; no blue fabric shows. General officers may wear the "Wing and Star" design, shiny finish emblem and belt buckle.

GENERAL DRESS AND APPEARANCE INSTRUCTIONS (Reference: CAPM 39-1)

1-6. Dress and Appearance. All members of CAP must be well groomed and assure that their appearance at all times reflects credit upon themselves, CAP, and the Air Force. See Table 2-5 of CAPM 39-1 for further clarification. When uniforms are worn, they must be clean, neat and correct in design and specification, properly fitted, and in good condition. Uniforms will be kept zippered, snapped, or buttoned and shoes will be shined and in good repair. Metallic insignia, badges and other devices, including the blue service uniform buttons, must also be maintained in the proper luster and condition.

a. Appearance of Men in Uniform. Articles such as wallets, pencils, pens, watch chains, fobs, pins, jewelry, handkerchiefs, combs, cigars, cigarettes, pipes, and sunglass cases will not be exposed on the uniform. The wear of wristwatches and rings is permitted. The wear of identification bracelets is likewise permitted provided they present a neat and conservative appearance. Conservative sunglasses may be worn, except in military formation. Ribbons, when worn, will be clean and not frayed. Wear of earrings, ornamentation on eyeglass lenses, or visible ornaments around the neck are prohibited while in uniform.

b. Appearance of Women in Uniform. Uniform skirt lengths will be in keeping with the dictates of fashion and good taste, but with due regard to the dignity of the uniform. In any case, skirt lengths will be no higher than above the top of the kneecap or lower than the bottom of the kneecap. Skirts will hang freely and under no circumstances will they be excessively tight. Pencils, pens, pins, handkerchiefs, and jewelry will not be worn or carried exposed on the uniform. One small spherical (ball), conservative, diamond, gold, white pearl, or silver pierced or clip earring per earlobe may be worn. The earring worn in each earlobe must match. Earring should fit tightly without extending below the earlobe. (EXCEPTION: Connecting band on clip earrings.) Other visible ornaments around the neck or on the head, ornamentation on eyeglass lenses, and ankle bracelets are prohibited. Wristwatches, identification bracelets, and a maximum of three conservative rings are permitted. Conservative sunglasses may be worn, except in military formation. Appropriate undergarments will be worn to present a conservative, feminine appearance.

1-7. Wear of Religious Apparel. Members may wear certain visible items of religious apparel while in uniform. Religious apparel is defined as articles of clothing or dress that are part of the doctrine or traditional observance of the religious faith practiced by the member. Hair and grooming practices are not included in the meaning of religious apparel. Jewelry of a religious nature must conform to standards set forth in this regulation for wear of non-religious jewelry. Religious head coverings are authorized only when military headgear is not authorized. Head coverings must be plain dark blue or black without adornment. Also, they may be worn underneath military headgear if they do not interfere with the proper fit or appearance of the headgear. For example, Jewish yarmulkes meet this requirement if they do not exceed 6 inches in diameter.

CAP CORPORATE SERVICE DRESS UNIFORM ITEM ORDERING

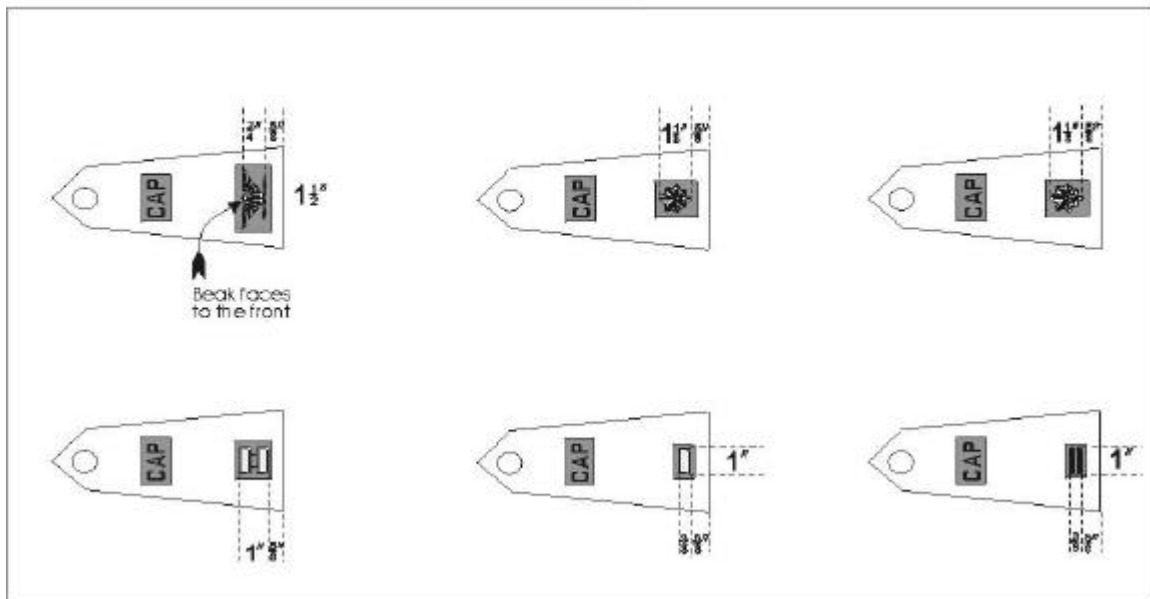
| | |
|--|--|
| CORPORATE UNIFORM ACCESSORIES | OFFICER RANK INSIGNIA, REGULAR SIZE FOR USE ON CORPORATE JACKET |
| 2787200 SILVER BRAID \$3.35 YARD | 7150101 2 ND LIEUTENANT \$5.80 PAIR |
| 3088400 SILVER CHIN STRAP \$5.45 EACH | 7150200 1 ST LIEUTENANT \$5.55 PAIR |
| CAP0599LB TWO LINE SILVER BRUSHED NAME PLATE \$9.25 | 7150300 CAPTAIN \$6.00 PAIR |
| | 7150401 MAJOR \$5.60 PAIR |
| | 7150500 LT COLONEL \$5.20 PAIR |
| | 7150600 COLONEL \$6.20 PAIR |

| | |
|--|--|
| AF BLUE FEMALE SLACKS Shade 1625 (\$45.20 PAIR) | AF BLUE FEMALE SKIRTS Shade 1625 (\$45.20 EACH) |
| CAP3500A SIZE 6 | CAP3600A SIZE 6 |
| CAP3500B SIZE 8 | CAP3600B SIZE 8 |
| CAP3500C SIZE 10 | CAP3600C SIZE 10 |
| CAP3500D SIZE 12 | CAP3600D SIZE 12 |
| CAP3500E SIZE 14 | CAP3600E SIZE 14 |
| CAP3500F SIZE 16 | CAP3600F SIZE 16 |
| CAP3500G SIZE 18 | CAP3600G SIZE 18 |
| CAP3500H SIZE 20 | CAP3600H SIZE 20 |
| AF BLUE MALE TROUSERS Shade 1625 | AF BLUE EPAULETS |
| CAP0993B SIZE 28 \$46.70 | CAP0747A NO RANK, SENIOR MEMBER |
| CAP0993D SIZE 30 \$46.70 | 8400205 2 ND LIEUTENANT \$5.00 |
| CAP0993E SIZE 32 \$46.70 | 8400305 1 ST LIEUTENANT \$5.00 |
| CAP0993F SIZE 34 \$46.70 | 8400405 CAPTAIN \$6.00 |
| CAP0993G SIZE 36 \$46.70 | 8400505 MAJOR \$6.25 |
| CAP0993H SIZE 38 \$46.70 | 8400605 LT COLONEL \$5.00 |
| CAP0993I SIZE 40 \$46.70 | 8400705 COLONEL \$6.25 |
| CAP0993J SIZE 42 \$46.70 | 8400805 BRIG. GENERAL \$10.50 |
| CAP0993K SIZE 44 \$46.70 | 8400905 MAJOR GENERAL \$11.50 |
| CAP0993L SIZE 46 \$46.70 | |
| CAP0993M SIZE 48 \$46.70 | |
| CAP0993N SIZE 50 \$55.00 | |
| CAP0993O SIZE 52 \$55.00 | |
| CAP0993P SIZE 54 \$55.00 | |
| CAP0993Q SIZE 56 \$55.00 | |
| CAP0993R SIZE 58 \$55.00 | |
| CAP0993S SIZE 60 \$55.00 | |

| MALE DOUBLE BREASTED JACKET (\$160.00 EACH ALL SIZES) | FEMALE DOUBLE BREASTED JACKET (\$160.00 EACH ALL SIZES) |
|---|--|
| CAP0922AS SIZE 36 SHORT CAP0922A SIZE 36 REGULAR CAP0922AL SIZE 36 LONG | CAP922L12P SIZE 12 PETITE CAP922L12R SIZE 12 REGULAR CAP922L12T SIZE 12 TALL |
| CAP0922BS SIZE 38 SHORT CAP0922B SIZE 38 REGULAR CAP0922BL SIZE 38 LONG | CAP922L14P SIZE 14 PETITE CAP922L14R SIZE 14 REGULAR CAP922L14T SIZE 14 TALL |
| CAP0922CS SIZE 40 SHORT CAP0922C SIZE 40 REGULAR CAP0922CL SIZE 40 LONG | CAP922L16P SIZE 16 PETITE CAP922L16R SIZE 16 REGULAR CAP922L16T SIZE 16 TALL |
| CAP0922DS SIZE 42 SHORT CAP0922D SIZE 42 REGULAR CAP0922DL SIZE 42 LONG | CAP922L18P SIZE 18 PETITE CAP922L18R SIZE 18 REGULAR CAP922L18T SIZE 18 TALL |
| CAP0922ES SIZE 44 SHORT CAP0922E SIZE 44 REGULAR CAP0922EL SIZE 44 LONG | CAP922L20P SIZE 20 PETITE CAP922L20R SIZE 20 REGULAR CAP922L20T SIZE 20 TALL |
| CAP0922FS SIZE 46 SHORT CAP0922F SIZE 46 REGULAR CAP0922FL SIZE 46 LONG | CAP922L22P SIZE 22 PETITE CAP922L22R SIZE 22 REGULAR CAP922L22T SIZE 22 TALL |
| CAP0922GS SIZE 48 SHORT CAP0922G SIZE 48 REGULAR CAP0922GL SIZE 48 LONG | |
| CAP0922HS SIZE 50 SHORT CAP0922H SIZE 50 REGULAR CAP0922HL SIZE 50 LONG | |
| CAP0922IS SIZE 52 SHORT CAP0922I SIZE 52 REGULAR CAP0922IL SIZE 52 LONG | |
| CAP0922JS SIZE 54 SHORT CAP0922J SIZE 54 REGULAR CAP0922JL SIZE 54 LONG | |
| CAP0922KS SIZE 56 SHORT CAP0922K SIZE 56 REGULAR CAP0922KL SIZE 56 LONG | |
| CAP0922KM SIZE 58 REGULAR CAP0922KML SIZE 58 LONG | |

THE CORPORATE LIGHTWEIGHT JACKET (WINDBREAKER)

A black windbreaker has been approved as an outer garment with the corporate white shirt and blue pants/skirt combination. This jacket is identical to the U.S. Army officer's black windbreaker with a stand-up knit collar, knit cuffs and bottom as well as two inverted slant pockets and shoulder epaulets. The regular size grade insignia will be worn 5/8 inch from the bottom of the epaulet. Metal CAP cutouts are placed centered between the grade insignia and the end of the epaulet. This windbreaker is available from Vanguard or can also be purchased at Army military clothing sales stores. (Do not wear the AF blue windbreaker with the corporate uniform.)



Above is the correct way to place the metal grade insignia and CAP cutout on the epaulet of the black windbreaker. While the above illustration is for the placement of insignia on the field jacket (BDU/CAP DFU), the placement is identical.

CAP CORPORATE A-2 LEATHER JACKET

Authorized for wear with all CAP corporate uniform combinations is a black A-2 style leather jacket. No grade insignia is worn on the jacket – the grade abbreviation is denoted on the leather nametag on the left breast only. The CAP command patch is worn on the right breast. The jacket is available from Vanguard or any other purveyor of leather flight jackets. Be sure to specify the USAF A-2 style jacket; the Navy’s G-1 leather jacket is not only a different style (with a fur collar), it is NOT authorized for wear.

NOTE: CAP IS NOT AUTHORIZED TO WEAR THE BROWN USAF A-2 LEATHER JACKET WITH ANY UNIFORM COMBINATION.

Black leather nametag for the leather jacket: worn on the jacket on the left breast. Aeronautical rating, name and grade are placed as shown below.



The CAP command patch is not currently available with a black leather ‘frame’ to match the style of the leather name patch. The standard CAP command patch is worn on the right breast, in line with the name patch.



Approved grade insignia abbreviations on the leather name patch for cadets and senior members:

| | | | | |
|-------------------------------|-------------------------------------|--|--------------------------|------------------------------------|
| Cadet (of any grade) CADET | Senior Member SR MBR or SM | Sergeant SGT | Staff Sergeant SSGT | Technical Sergeant TSGT |
| Master Sergeant MSGT | Senior Master Sergeant SMSGT | Chief Master Sergeant CMSGT | Flight Officer FO | Technical Flight Officer TFO |
| Senior Flight Officer SFO | Second Lieutenant 2D LT or 2d LT | First Lieutenant 1ST LT or 1 ST LT | Captain CAPT | Major MAJ |
| Lieutenant Colonel LT COL | Colonel COL | Brigadier General BRIG GEN | Major General MAJ GEN | |